

2024 | The 33rd

ATTU East Asia Hope Cup Table Tennis Championships

第33届“东亚希望杯”乒乓球锦标赛

HAND BOOK

秩序册

Host: Chinese Table Tennis Association (CTTA)
Shanghai Sports Federation

Organizer: Shanghai Table Tennis Association
Shanghai Baoshan Sports Bureau

Co-organizer: Shanghai Baoshan Sports Federation
Shanghai CaoYanHua Table Tennis School
Shanghai Yangtai Experimental School

Sponsor: NIPPON TAKKYU CO.,LTD
Shanghai Double Happiness Co.,Ltd
Li Ning (China) Sports Goods Co., Ltd

主办单位: 中国乒乓球协会
上海市体育总会

承办单位: 上海市乒乓球协会
上海市宝山区体育局

协办单位: 上海市宝山区体育总会
上海曹燕华乒乓培训学校
上海杨泰实验中学

赞助单位: 日本卓球株式会社
上海红双喜股份有限公司
李宁(中国)体育用品有限公司

Date: 21st–24th November 2024
日期: 2024年11月21–24日

Place: Shanghai, China
地址: 中国·上海



Nittaku



Hina Hayata A2



Hina Hayata
(Nippon Life Insurance, Japan)



以我为名 为国而战





上海曹燕华乒乓培训学校

Shanghai Cao Yanhua Table Tennis School



Shanghai Cao Yanhua Table Tennis School
上海曹燕华乒乓培训学校



Cao Yanhua Table Tennis School visited Austria,
Italy and Hungary for exchange competitions.
曹乒出访奥地利、意大利、匈牙利 交流比赛

上海曹燕华乒乓培训学校创建于1998年10月，由乒乓球世界冠军曹燕华亲自创办并担任校长。学校位于宝山区杨行镇杨鑫路388号，拥有一座4000 m²的训练、比赛馆和一幢3000 m²的学生公寓，校园环境优美，训练、生活设施一流，中央空调、热能供水等一应俱全，学校依托所在地上海市杨泰实验中学为全体运动员提供优质系统的九年义务教育，是一所集乒乓训练与文化学习于一体、专业培养青少年奥运后备人才的现代化寄宿制学校。

Shanghai Cao Yanhua Table Tennis School was established by the former table tennis world champion CAO Yanhua in October, 1998. The school is located on No. 388 Yangxin Road, in Baoshan District, with a 4000-squaremeter training stadium and a 3000-squaremeter student dormitory inside. The campus has graceful surroundings and first-rate training and living facilities. Installations including central air-conditioning and water-heating systems are all equipped. The school cooperates with Shanghai Yangtai Experimental Middle School in providing the athletes with high quality and systematic nine-year compulsory education, and is known as a modernized boarding school focusing on the combination of table tennis training and academic learning regarding those youth sports reserves of Olympic Games.





2024 National Youth Table Tennis Championships-Boys' singles runner up
2024年全国青年乒乓球锦标赛男单亚军 - 伍毅菲



2024 National Youth Table Tennis Championships-Girls' singles champion
2024年全国青年乒乓球锦标赛女单冠军 - 易爱川

学校坚持“培养德、智、体全面发展的具备优秀文化素质和运动水平的奥运后备人才”的办学宗旨，坚持“依法、规范、诚信的办学原则，科学管理、严格要求、刻苦训练。截止 2024 年 10 月，学校向国家队输送了许昕、尚坤等优秀运动员 13 人。输送、吸收一线专业运动员 50 余人 (含上海队及外省市专业队)。培养输送的运动员获全国冠军、亚洲冠军、世界冠军、奥运冠军等优异成绩！学校注重文化教育，历年高考升学率 100%。

学校利用品牌优势，积极开展国际乒乓球文化、技术交流，先后接待了美国、日本、加拿大、德国、瑞士、俄罗斯、奥地利、巴西、西班牙、韩国、新加坡等五大洲三十多个国家的运动员、教练员等来校交流、培训。中央电视台及德国、瑞士、巴西等国家新闻媒体对学校进行过采访报道。

学校先后被评为：全国乒乓球后备人才基地，国家高水平体育后备人才基地 (与宝山第二少体校合作)，全国规范化管理 5A 级单位，全国乒乓球后备人才基地典型先进单位。

We adhere to the school mission of cultivating reserve talents of Olympic Games with intelligence physique, aesthetic and sports competitiveness. We hold the principle of obeying the laws, sticking to the standards and being honest to run and manage the school. We adopt scientific management of athletes, are strict with them and require them to train harder. Till October, 2024, we have transported 13 elite athletes such as XU Xin, SHANG Kun to the national team. We have also transported and absorbed more than 50 first-tier athletes (from Shanghai team and teams of other provinces). The athletes cultivated and transported by us have already won several national, Asian, world and Olympic Championships. The school has put great emphasis on students' cultural education, the pass rate of our student athletes in academic exams maintains to be 100% through the past several years.

Making full use of our school's brand, we have been active in carrying out table tennis culture and skills exchange internationally. We have invited and received athletes and coaches from more than 30 countries including the United States, Japan, Canada, Germany, Switzerland, Russia, Austria, Brazil, Spain, Korean and Singapore to communicate with us and participate in the training in our school. We were interviewed by news media including CCTV, and the state media of Germany, Switzerland and Brazil.

Cao Yanhua Table Tennis School has won the following honors and awards: National Base for Reserve Talents of Table Tennis, National High Level Base for Reserve Talents of Sports (cooperating with the Second Youth Sports School of Baoshan District), National Standardization Management organization (5A-Level), and Model Outstanding Unit among all of the National Base for Reserve Talents of Table Tennis.



Table Tennis Invitational Tournament between China, Russia and Austria
中、俄、奥三国乒乓球邀请赛



2024 World Table Tennis Championships for Middle School Students - Girls' team runner-up
2024年世界中学生乒乓球锦标赛 - 女团亚军



The Tokyo Olympic Games (Men's Team Champion - XU Xin)
东京奥运会 男团冠军 - 许昕

目录

Contents

- 一、竞赛规程
Competition Regulations
- 二、大会组织委员会
Organizing Committee
- 三、大会工作机构
Administrative Offices
- 四、裁判员名单
Umpire Name List
- 五、代表队名单
Delegations
- 六、竞赛日程
Competition Schedule
- 七、参赛人数统计
The Number of Participants
- 八、比赛场地示意图
Layout

竞赛规程

一、办赛单位

2024年第33届“东亚希望杯”乒乓球锦标赛将由中国乒乓球协会、上海市体育总会主办，上海市乒乓球协会、上海市宝山区体育局承办，上海曹燕华乒乓培训学校协办。

二、赛事日期

2024年11月21日（星期四）至11月24日（星期日）

三、赛事地点

上海曹燕华乒乓培训学校（上海市宝山区杨鑫路388号）

四、比赛项目

- (1) U12男子团体
- (2) U12女子团体
- (3) U12男子单打
- (4) U12女子单打

五、参赛队伍

中国，日本，韩国，朝鲜，蒙古；中国台北，中国香港，中国澳门；上海曹燕华乒乓培训学校。

六、奖励

1. 单打项目

第一名颁发奖杯、奖牌、证书；第二、三名颁发奖牌、证书；第四至八名颁发证书。

2. 团体项目

第一名团队颁发奖杯、证书（教练），运动员每人颁发奖牌、证书；第二、三名团队颁发证书（教练），运动员每人颁发奖牌、证书。

七、竞赛日程

日期	时间	行程安排
2024年11月21日（周四）	/	到达上海（浦东或虹桥机场）
	19:00	领队会议及抽签
2024年11月22日（周五）	8:15	开幕式
	8:30	上午比赛（第一天）
	13:30	下午比赛（第一天）
2024年11月23日（周六）	8:30	上午比赛（第二天）
	13:30	下午比赛（第二天）
2024年11月24日（周日）	8:30	上午比赛（第三天）
	11:30	颁奖&闭幕式
	13:30	联谊活动-国际乒联博物馆
2024年11月25日（周一）	/	参赛者离会

更详细的竞赛日程将在确认最终报名后于通过邮件方式公布。

八、赛事总监

姓名：王琛

电话：+86 18610082625

邮箱：ctta_qingshaobu@163.com

九、赛事裁判长

姓名：朱玲

电话：+86 13331897080

邮箱：3932086@qq.com

十、赛事竞赛经理

姓名：周星栋

电话：+86 18810333673

邮箱：1760003566@qq.com

十一、组委会负责人

姓名：施泽西

电话：+86 15800949751

邮箱：caoyanhua@caotts.com

十二、比赛赛制

比赛采用国际乒联最新审定的《乒乓球竞赛规则》。



比赛服装：各代表队统一服装，参赛运动员须准备深、浅两套不同颜色的比赛服，请各代表队自备服装。

1. 团体

①团体比赛分为2个阶段。第1阶段进行分组循环，第2阶段采用淘汰赛制。具体方案根据报名情况确定。

②团体比赛的出场顺序为：

第一场：双打（注：A和X不能参加双打配对）

第二场：A——X

第三场：B——Y

第四场：C——Z

第五场：D——W

③团体比赛采用5场3胜制，每一小场采用5局3胜制。

④团体比赛每场比赛同时使用2张球桌。

2. 单打

①单打比赛分为两个阶段，第1阶段进行分组循环赛；第2阶段采用淘汰附加赛赛制，每组第1-2名抽签进行淘汰附加赛，决出1-16名，每组3-4名抽签进行淘汰附加赛，决出17-32名，以此类推。

②第1阶段小组循环赛采用5局3胜制；第2阶段淘汰附加赛，淘汰晋级赛和决赛采用5局3胜制；淘汰附加赛（安慰赛）均采用3局2胜制。

十三、比赛器材

16张比赛球台（红双喜球台）

16张练习球台（红双喜球台）

比赛用球（Nittaku，白色）

所有的球拍覆盖物必须是国际乒联目前授权认可的类型。

十四、参赛资格

1. 锦标赛将向满足以下年龄的参赛队伍开放报名：
2012年1月1日或之后出生的运动员。

2. 每个参赛队伍最多可派出1支男子队伍和1支女子队伍，共两（2）支队伍（6名男子运动员和6名女子运动员）参赛。

3. 每个参赛队伍最多可派出两（2）名教练员。其他随队人员为超编人员。

4. 全体参赛人员（包括教练员及陪同人员）必须填写进报名表，同时提供身份证件，并自行购买赛事期间（含往返中国上海期间）保险。

十五、报名、报到和收费

1. 报名

（1）报名开始时间为2024年10月1日。



(2) 报名截止时间为北京时间 (UTC +8:00) 2024年10月20日23:59。

(3) 各协会最多可派出6名男子运动员和6名女子运动员参赛。

(4) 请于2024年10月20日前，将报名表发送至中国乒协邮箱 (ctta_qingshaobu@163.com) 和上海曹燕华乒乓培训学校邮箱 (caoyanhua@caotts.com)。接送机人员、航班等信息请于2024年11月15日前完成确认并发送给当地组委会。

(5) 报名截止后，不允许额外报名，只接受更改或取消 (更正)。

(6) 更改报名：在报名截止后更改已提交成功的报名信息，需发送电子邮件至中国乒协邮箱 (ctta_qingshaobu@163.com) 和上海曹燕华乒乓培训学校邮箱 (caoyanhua@caotts.com)。

(7) 如有陪同人员 (医生、理疗师等)，请与当地组委会联系，确认官方酒店是否有空余房间。

2. 报到

2024年11月21日18:00前完成报到。

酒店：金仓永华大酒店

地址：上海市宝山区水产路2659号；电话：+86-21-36114580

距离场馆：步行5分钟（200米）

3. 收费

（1）竞赛规程规定参赛人员范围内：6名男子运动员、6名女子运动员、2名教练。

按单人间100美金/人/天；双人间70美金/人/天收费。

（2）超编人员

按单人间115美金/人/天；双人间85美金/人/天收费。

缴费以转账方式完成，在2024年11月20日前汇入主办方指定账号。无法进行转账支付的协会须在截止日期2024年11月20日前联系上海曹燕华乒乓培训学校邮箱（caoyanhua@caotts.com）。组委会将仅为完成付款的参赛队伍提供酒店预订和安排接送。

所有银行手续费应由各协会承担。

十六、付款

账户持有人名称：上海曹燕华乒乓培训学校

银行名称：中国工商银行

分支名称：中国工商银行上海分行

银行地址：中国上海市浦东新区浦东大道9号

银行账号：1001167729146969543

银行国际代码：ICBKCNBJSHI

所有银行手续费应由各协会承担。无法进行转账支付的协会须在截止日期前联系组委会（上海曹燕华乒乓培训学校）。

十七、签证申请

参赛协会必须在2024年10月25日之前将所有签证必要信息发送到上海曹燕华乒乓培训学校邮箱（caoyanhua@caotts.com），以便发出邀请函。必要信息如下

:

- 姓名
- 国籍
- 护照号码
- 护照有效期
- 出生日期
- 接收邀请函的电子邮件地址

十八、种子

1. 团体比赛

团体比赛的种子排名以2023年第32届“东亚希望杯”乒乓球锦标赛的成绩为准。

2. 单打比赛

U12单打比赛的种子选手设定依据及排列顺序：

(1) 2023年第32届“东亚希望杯”乒乓球锦标赛的单打前8名；

(2) 最新的国际乒联U13世界排名。

十九、联席会议及抽签

联席会议及第一阶段抽签将于2024年11月21日19:00在上海曹燕华乒乓培训学校四楼会议室（上海市宝山区杨鑫路388号）举行。

二十、义务

报名即默认接受以下声明：参赛运动员愿意与任何其他参赛运动员或参赛队比赛，参赛运动员尊重并承认国际乒联手册的规定和规则。递交报名表即默认接受以上承诺。

所有参加队伍及运动员同意在涉及电视报道、视频、互联网网络广播、电影报道和任何类型的摄影报道的所有事务上接受组委会的安排。

任何参赛者在接到通知时应立即开幕式或颁奖仪式，并遵守组委会制定的程序。

二十一、保险

参加本赛事的运动队须确保其代表团所有成员在本赛事期间拥有医疗、旅行和其它适当的保险。

PROSPECTUS

1. AUTHORITY

The 33rd ATTU East Asian Hope Table Tennis Championships will be hosted by **Chinese Table Tennis Association** and **Shanghai Municipal Sports Administration** under the authority of **Asian Table Tennis Union (ATTU)**, organized by **Shanghai Table Tennis Association** and Shanghai Baoshan Sports Bureau, and co-organized by **Shanghai Caoyanhua Table Tennis School**.

2. DATES

Thursday, 21 November to Sunday, 24 November 2024.

3. VENUE

Caoyanhua Table Tennis School
No. 388 Yangxin Road, Yanghang Town, Baoshan District, Shanghai

4. EVENTS

- (1) U12 Boys' Team
- (2) U12 Girls' Team
- (3) U12 Boys' Singles
- (4) U12 Girls' Singles

5. INVITEES

Chinese Table Tennis Association
Japan Table Tennis Association
Korea Table Tennis Association
Table Tennis Association Of The Democratic People's Republic of Korea
Mongolian Table Tennis Association
Chinese Taipei Table Tennis Association
Hong Kong, China Table Tennis Association
Macao Table Tennis Association
Host Team

6. AWARD

(1) Singles Events

The champions will be awarded trophies, medals and certificates. The 2nd and 3rd places will be awarded medals and certificates. Certificates will be awarded to the 4th to 8th places.

(2) Team Events

For the champions, coaches will be awarded trophies and certificates, and the athletes will be awarded medals and certificates. For the 2nd and 3rd placed teams, coaches will be awarded certificates, and the athletes will be awarded medals and certificates.

7. GENERAL SCHEDULE

DATE	TIME	SCHEDULE
21, Nov. 2024 (Thur.)	/	Arrival
	19:00	Team Delegates Meeting, draw
22, Nov. 2024 (Fri.)	8:15	Opening Ceremony
	8:30	Competition Day 1
	13:30	Competition Day 1
23, Nov. 2024 (Sat.)	8:30	Competition Day 2
	13:30	Competition Day 2
	8:30	Competition Day 3
24, Nov. 2024 (Sun.)	11:30	Closing Ceremony
	13:30	Activity
25, Nov. 2024 (Mon.)	/	Departure

Detailed schedule will be delivered via email after the confirmation of registration.

8. LOC DIRECTOR

Mr. WANG Chen
 Tel.: +86 1861-008-2625
 Email: ctt_a_qingshaobu@163.com

9. REFEREE

Referee: Ms. ZHU Ling
 Tel.: +86 1333-189-7080
 Email: 3932086@qq.com

10. COMPETITION MANAGER

Mr. ZHOU Xingdong
 Tel.: +86 1881-033-3673
 Email: 1760003566@qq.com

11. LOC CONTACT

Mr. SHI Zexi
 Tel.: +86 1580-094-9751
 Email: caoyanhua@caotts.com

12. SYSTEM OF PLAY

The ITTF Statutes valid at the time will be used.
 Athletes of the same Member Association should be dressed uniformly. Please prepare both dark-colored and light-colored T-shirts at your own expense.



(1) Team Events

The team competition will be conducted in two stages. The 1st stage will be played on a round robin basis. The 2nd stage will be played on a knock-out basis.

Each team match consists of five individual matches (maximum 1 doubles and 4 singles matches) as follows:

- Doubles (A & X shall not participate in the doubles)
- A vs X
- B vs Y
- C vs Z
- D vs W

The team match finishes when one team has won a majority of the possible individual matches. Each individual match will be best of 5 games.

Two tables will be used for each team match.

(2) Singles Events

All Singles events will be played in two stages.

The 1st stage will be played on a round robin basis.

In the 2nd stage, the winners and runner-ups of each group will be drawn to played on a progressive knock-out basis, the 3rd and 4th placed player of each team will be drawn to play on a progressive knock-out basis, and so forth.

All Stage 1 matches are the best of five (5) games. In the 2nd stage, the first round and the matches between the winners of previous rounds are best of five (5) games, while the matches between the losers of previous rounds are best of three (3) games.

13. EQUIPMENT

(1) **16 Competition Tables:** Double Happiness

(2) **16 Practice Tables:** Double Happiness

(3) **Ball:** Nittaku, white

All racket coverings must be of a type currently authorized by the ITTF.

14. ELIGIBILITY

(1) The Championships will be open to Member Associations of ATTU satisfying the following condition:

- U12: players born on or after 1 January 2012.

(2) Each invitee is entitled to enter 1 boy's team and 1 girl's team. Each team consists of no more than 6 players.

(3) Each invitee is entitled to enter 2 coaches.

(4) All participants should be listed in the entry form. The ID of each participant is required, and insurance during the event (including the period to and from Shanghai, China) should be covered at the expense of each Member Association.

15. ENTRYIES & Hospitality

(1) Entry

- The entry application begins on 1st October 2024.

- The deadline of entry is 23:59 local time (UTC +8:00) on 20th October 2024.

- Each Member Association is entitled to nominate up to 6 boys and 6 girls.
- Please send your application form to both Chinese Table Tennis Association (ctta_qingshaobu@163.com) and Shanghai Caoyanhua Table Tennis School (caoyanhua@caotts.com) before 20th October, 2024. The deadline of sending travel details is 15th November 2024.
- Replacement or cancellation is allowed after the entry deadline, but additional entry is not allowed.
- For replacement or cancellation, please send your application to both Chinese Table Tennis Association (ctta_qingshaobu@163.com) and Shanghai Caoyanhua Table Tennis School (caoyanhua@caotts.com) before 20th October, 2024. The deadline of sending travel details is 15th November 2024.
- Please contact Local Director for official accommodation if you have medicals or other participants.

(2) Hotel Information

Please register at official service hotel before 18:00 local time (UTC +8:00) on 21st November 2024:

- Name: Golden Richard Hotel
- Address: No. 2659, Shuichan Road, Baoshan District, Shanghai, China (5 minutes to venue on foot)
- Tel.: +86-21-36114580

For more information, please visit:

<https://www.agoda.cn/zh-hk/golden-richard-hotel/hotel/shanghai-cn.html?ds=tsZuPSM24mu1y29P>

(3) Rates and Payment

Rates per person per night for entries (up to 6 boys, 6 girls and 2 coaches):

- Single room: \$100 USD
- Double room: \$70 USD

Rates per person per night for other participants:

- Single room: \$115 USD
- Double room: \$85 USD

All fees must be paid before local time (UTC +8:00) on 20th November 2024. Participants who are unable to transfer payment should contact Shanghai Caoyanhua Table Tennis School (caoyanhua@caotts.com) before deadline. The LOC will make hotel reservations and local traffic arrangements only for Member Associations which have completed payments.

All bank charges shall be covered by each Member Association.

16. PAYMENT

Account Name: **SHANGHAI CAOYANHUA TABLE TENNIS SCHOOL**
Account number: **1001167729146969543**
Bank name: **THE INDUSTRIAL AND COMMERCIAL BANK OF CHINA**

Branch name: **ICBC SHANGHAI BRANCH**
 SWIFT: **ICBKCNBJSHI**
 Bank address: **NO. 9 PU DONG AVENUE, 200120 SHANGHAI, CHINA**

17. VISA

Each Member Association is required to send the following information to Shanghai Caoyanhua Table Tennis School (caoyanhua@caotts.com) before 25th October 2024 for invitation letter:

- Name
- Nationality
- Passport number
- Passport expiration date
- Date of birth
- Email for receiving invitation letter

18. SEEDING

(1) Team Events

Seeding will be based on the results of 32nd East Asian Hope Table Tennis Championships.

(2) Singles Events

Seeding will be based on the results of 32nd East Asian Hope Table Tennis Championships. For tie-break positions the seeding will be determined based on the U13 ITTF Youth Ranking.

19. DELEGATES MEETING AND DRAW

The delegates meeting and draw of the first stage will be held at 19:00 local time (UTC +8:00) on 21st November 2024. The address is the Meeting Room on the 4th floor of Shanghai Caoyanhua Table Tennis Training School.

20. LIABILITY

By entering the Championships, the participating athletes is willing to compete against any other participating athlete or team, and will abide by all ITTF and ATTU rules and regulations of the Organizing Committee.

All participating teams and athletes agree to be subject to the Organizing Committee's arrangements for all matters involving television coverage, video, internet webcasting, film coverage and any type of photo coverage.

Any participant should attend the opening ceremony or award ceremony immediately upon receipt and abide by the procedures set by the organizing committee.

21. INSURANCE

By entering the Championships, each Member Association must ensure that all delegation members have medical, travel and other appropriate insurance for the duration of the Championships.

大会组织委员会 Organizing Committee

名誉主任： Honorary Chairmen:	徐 彬 XU Bin	上海市体育局党组书记、局长 Party Secretary and Director of the Shanghai Administration of Sports
	邓小冬 DENG Xiaodong	宝山区委副书记、区长 Deputy Secretary of the Baoshan District Party Committee, District Head
主 任： Chairmen:	王励勤 WANG Liqin	中国乒乓球协会副主席、上海市乒乓球协会会长 Vice President of the Chinese Table Tennis Association, President of the Shanghai Table Tennis Association
	丁 力 DING Li	宝山区人民政府副区长 Deputy District Head of the People's Government of Baoshan District
副 主 任： Vice Chairmen:	张 彬 ZHANG Bin	宝山区体育局党组书记、局长 Party Secretary and Director of the Baoshan District Sports Bureau
秘 书 长： Secretaries-General:	王 琛 WANG Chen	中国乒乓球协会青少部负责人 Head of the Youth Department of the Chinese Table Tennis Association
	韩婧萌 HAN Jingmeng	中国乒乓球协会国际部负责人 Director of the International Department of the Chinese Table Tennis Association
	李 备 LI Bei	上海市乒乓球协会秘书长、上海市乒羽中心主任 Secretary-General of the Shanghai Table Tennis Association, Director of the Shanghai Table Tennis and Badminton Center
	陈昕云 CHEN Xinyun	上海市青少年训练管理中心副主任 Deputy Director of the Shanghai Youth Training Management Center



副秘书长：童本俊 上海市乒乓球协会副秘书长、上海市乒羽中心副主任
 Deputy Secretaries-General: TONG Benjun Deputy Secretary-General of the Shanghai Table Tennis Association, Deputy Director of the Shanghai Table Tennis and Badminton Center

陆体金 宝山区体育局党组成员、副局长
 LU Tijin Party Member and Deputy Director of the Baoshan District Sports Bureau

朱益新 宝山区体育事业管理中心主任
 ZHU Yixin Director of the Baoshan District Sports Management Center

曹燕华 上海曹燕华乒乓培训学校校长
 CAO Yanhua Principal of the Shanghai Cao Yanhua Table Tennis Training School

委 员：胡金格 江 磊 龚晓霖 王 敏
 Committee Members: HU Jin'ge JIANG Lei GONG Xiaolin WANG Min

王 梁 陈宝熙 施泽西 席睿信
 WANG Liang CHEN Baoxi SHI Zexi XI Ruixin

大会工作机构 Administrative Offices

竞赛处: Office of Elite Sport:	陈宝熙 CHEN Baoxi	上海曹燕华乒乓培训学校常务副校长 Shanghai Cao Yanhua Table Tennis School vice president
接待处: Reception:	施泽西 SHI Zexi	上海曹燕华乒乓培训学校校长助理 Shanghai Cao Yanhua Table Tennis School assistant to the principal
宣传处: Office of CPC Publicity:	段楚雯 DUAN Chuwen	宝山区体育事业管理中心综合部部长 Baoshan District sports business management center comprehensive Department director
办公室: Office of the President:	席睿信 XI Ruixin	上海曹燕华乒乓培训学校副校长 Shanghai Cao Yanhua Table Tennis School vice president
后勤处: Logistics department:	束波 SHU Bo	上海曹燕华乒乓培训学校后勤主管 Shanghai Cao Yanhua Table Tennis School logistics supervisor



仲裁委员会

施之皓 江 磊 黄伯年

竞赛经理

周星栋

裁判员名单

裁判员长：朱 玲

副裁判员长：刘 杰 完 好

编排记录组：余竞妍 朱亚云 庄佳贺

刘婉莹 骆 嘉

裁判员：姜建荣 徐 迎 黄雅卿 张邱萍

崔琳彦 姚 超 沈 继 张丁丁

于榕清 吴依蔓 王彬彬 李 晗

孟淑婷 连浩锦 肖家欣 谢春晓

赵 淳 吴晋光 沈佳妮 赵 曦

俞欣然 李若溪 王瑞东 刘双豪

贾若祺

Jury

SHI Zhihao JIANG Lei HUANG Bonian

Competition Manager

ZHOU Xingdong

List of Match Officials

Referee: ZHU Ling

Deputy Referee: LIU Jie WAN Hao

Recording group: SHE Jingyan ZHU Yayun ZHUANG Jiahe

LIU Wanying LUO Jia

Umpire: JIANG Jianrong XU Ying HUANG Yaqing

ZHANG Qiuping CUI Linyan YAO Chao

SHEN Ji ZHANG Dingding YU Rongqing

WU Yiman WANG Binbin LI Han

MENG Shuting LIAN Haojin XIAO Jiaxin

XIE Chunxiao ZHAO Chun WU Jinguang

SHEN Jiani ZHAO Xi YU Xinran

LI Ruoxi WANG Ruidong LIU Shuanghao

JIA Ruoqi



代表队名单 Delegations

中国/CHN	
教练/COACHES	LI Qian; CHEN Jian; XIE Yuezhang; LIU Yi
男运动员/BOYS	YU Yiyang; ZHOU Kai'en; LI Mingxu; MIN Ming; CHEN Yizhou; ZHANG Zhaoge
女运动员/GIRLS	JIAO Ziyue; GE Chenxi; YU Yihan; YANG Yuhan; DU Hanjing; ZHAO Chenyu

曹乒校/CTTS	
教练/COACHES	LAI Meiyi; CAO Bin
男运动员/BOYS	WANG Haozhe; ZHANG Xiantang; JIN Kaixiang; HUANG Minghao; WANG Rui; ZOU Xingzhi
女运动员/GIRLS	REN Xuanyi; WANG Nianxi; YUAN Yuchen; SUN Jiamao; WANG Wenjia; XIAO ZiLin

中国香港/HKG	
教练/COACHES	LO Chuen Tsung; WAN Shun Kwan
男运动员/BOYS	WONG Tsz Ho; WONG Tsz Yan Max; WONG Tsz Lam; JI Lunxi; CHOW Hoi Sun Hayson; FAN Hiu Yeung Curtis
女运动员/GIRLS	YEUNG Yee Lam Ashley; LI Cheuk Tung Ally; AU Kinki; ZHENG Yiran; ZHAN Shu Ying; PONG Nga Chi

日本/JPN	
教练/COACHES	MATSUSHIMA Yuji; KIHARA Shohki
男运动员/BOYS	OKADA Sora; HARASAWA Shunta; TAMBA Hayato; SAWADA Ryusei; YAMADA Sosuke; ISHIZUKA Daichi
女运动员/GIRLS	MATSUSHIMA Miku; ISOHATA Kotone; YAO Zitong; KONISHI Benii; INAGAKI Mei; HASHIMOTO Aoi

韩国/KOR

教练/COACHES	LEE June-Young; SHIN Byung-Hak
男运动员/BOYS	MA Yeongjun; LEE Juchan; PARK Sion; PARK Chanyong; LEE Junho; KIM Juhyuk
女运动员/GIRLS	JUNG Daae; KO Minseo; PARK Eunhye; SHIN Hyorin; LEE Yurim; SEO Ain

中国澳门/MAC

教练/COACHES	KOU CHAK IAT; HO KUAN LEONG
男运动员/BOYS	CHEONG IOI HIM; UN MAN CHENG; WEN TENG HOU; LAM CHENG HOU; CHANG CHON FAT; MAK CHI CHON
女运动员/GIRLS	GAN KA U; HE TONG U; CHEONG CHAN HEI; LO HOI I; WONG CHI HENG; KUOK SIN IAO

蒙古/MGL

教练/COACHES	BATKHISHIG Bilegt; BATBAYAR Doljinzuu
男运动员/BOYS	GANBAATAR Tuvshinsaikhan; BAYARKHUU Sodbileg; ODBAYAR Ariunkhuu; TUSHIKHBAYAR Jamiyan; OYUNBOLD Manlaibayar; ENKHJARGAL Bat-Orgil
女运动员/GIRLS	LKHAMJAV Tserendulam; ERDENEKHUYAG Ayalguu; KHUREL-OTGON Khulan; YALALTBAYAR Norjinkham; DASHZEVEG Uyanga; BATJARGAL Dulguun

中国台北/TPE

教练/COACHES	DING YU-HAN; LIEN TIEN-LIN
男运动员/BOYS	WU YUN-YAN; HSU CHUN-WEI; CHUANG CHENG-YEH; CHEN YU-CHEN; WU YUAN-KAI; TSENG YU-AN
女运动员/GIRLS	CHEN RUEI-LING; LI JEN-YUEH; MA HSUAN; CHOU YU-FEI; WENG YU-CHIAO; CHEN CHI-EN



竞赛日程（四楼）

Competition Schedule (The Fourth floor)

日期	时间	竞赛安排	球台
11月22日	8:30	开幕式	4楼
	9:00	男子、女子团体第一阶段第1轮	1-6台
	10:00	男子、女子团体第一阶段第2轮	1-6台
		休息	
	14:00	男子、女子团体第一阶段第3轮	1-6台
	15:00	男团半决赛之一、女团半决赛	1-6台
	16:00	男团决赛、女团决赛、女团决3-4名	1-6台
11月23日	8:30	女子单打第一阶段第1轮（第2、3组）	1-6台
	8:50	女子单打第一阶段第1轮（第7、8组）	1-6台
	9:10	男子单打第一阶段第1轮（第4、5组）	1-6台
	9:30	女子单打第一阶段第2轮（第2、3组）	1-6台
	9:50	女子单打第一阶段第2轮（第7、8组）	1-6台
	10:10	男子单打第一阶段第2轮（第4、5组）	1-6台
	10:30	女子单打第一阶段第3轮（第2、3组）	1-6台
	10:50	女子单打第一阶段第3轮（第7、8组）	1-6台
	11:10	男子单打第一阶段第3轮（第4、5组）	1-6台
		休息	
	13:30	女子单打第一阶段第4轮（第4、5组）	1-6台
	13:50	男子单打第一阶段第4轮（第1、2组）	1-6台
	14:10	男子单打第一阶段第4轮（第6、7组）	1-6台
	14:30	女子单打第一阶段第5轮（第4、5组）	1-6台
	14:50	男子单打第一阶段第5轮（第1、2组）	1-6台
	15:10	男子单打第一阶段第5轮（第6、7组）	1-6台
	15:30	单打第二阶段抽签（电脑抽签）	4楼
	15:50-16:50	男子单打第二阶段（决1-16名）第1轮 女子单打第二阶段（决1-16名）第1轮	1-6台
11月24日	8:30-9:00	女子单打1/4决赛及决9-16名附加赛	1-6台
	9:00-9:30	男子单打1/4决赛、女子单打第二阶段附加赛第3轮	1-6台
	9:30-10:00	男子单打半决赛、女子单打半决赛 男子单打决5-8名附加赛	1-6台
	10:00-10:30	男子单打决5-8名名次赛 女子单打决5-16名名次赛	1-6台
	10:30-11:00	男子单打决赛及3-4名决赛 女子单打决赛及3-4名决赛	1-6台
	11:20	闭幕式、颁奖	4楼

竞赛日程（三楼）

Competition Schedule (The Third floor)

日期	时间	竞赛安排	球台	
11月22日	8:30	开幕式	4楼	
	9:00	男子、女子团体第一阶段第1轮	7-16台	
	10:00	男子、女子团体第一阶段第2轮	7-16台	
	休息			
	14:00	男子、女子团体第一阶段第3轮	7-16台	
	15:00	男团半决赛之一、男女团第二阶段5-8名附加赛	7-16台	
	16:00	男团决3-8名、女团决5-8名	7-16台	
11月23日	8:30	女子单打第一阶段第1轮（第1、4-6组）	7-16台	
	8:50	男子单打第一阶段第1轮（第1-3组）	7-16台	
	9:10	男子单打第一阶段第1轮（第6-8组）	7-16台	
	9:30	女子单打第一阶段第2轮（第1、4-6组）	7-16台	
	9:50	男子单打第一阶段第2轮（第1-3组）	7-16台	
	10:10	男子单打第一阶段第2轮（第6-8组）	7-16台	
	10:30	女子单打第一阶段第3轮（第1、4-6组）	7-16台	
	10:50	男子单打第一阶段第3轮（第1-3组）	7-16台	
	11:10	男子单打第一阶段第3轮（第6-8组）	7-16台	
	休息			
	13:30	女子单打第一阶段第4轮（第1-3、6组）	7-16台	
	13:50	男子单打第一阶段第4轮（第3组） 女子单打第一阶段第4轮（第7、8组）	7-16台	
	14:10	男子单打第一阶段第4轮（第4、5、8组）	7-16台	
	14:30	女子单打第一阶段第5轮（第1-3、6组）	7-16台	
	14:50	男子单打第一阶段第5轮（第3组） 女子单打第一阶段第5轮（第7、8组）	7-16台	
	15:10	男子单打第一阶段第5轮（第4、5、8组）	7-16台	
	15:30	单打第二阶段抽签（电脑抽签）	4楼	
15:50-16:50	男子、女子单打第二阶段（决17-32名）第1轮 男子、女子单打第二阶段（决33-48名）第1-2轮	7-16台		
11月24日	8:30-11:00	男子单打第二阶段（决9-32名）第2-4轮 男子单打第二阶段（决33-48名）第3-4轮 女子单打第二阶段（决17-32名）第2-4轮 女子单打第二阶段（决33-48名）第3-4轮	7-16台	
	11:20	闭幕式、颁奖	4楼	



竞赛日程（四楼）

Competition Schedule (The Fourth floor)

DATE	TIME	SCHEDULE	TABLE
11-22	8:30	Opening Ceremony	The 4 th floor
	9:00	Boys' and Girls' Teams - Groups (Round 1)	T1-6
	10:00	Boys' and Girls' Teams - Groups (Round 2)	T1-6
		Break	
	14:00	Boys' and Girls' Teams - Groups (Round 3)	T1-6
	15:00	Boys' and Girls' Teams - Semifinals	T1-6
	16:00	Boys' and Girls' Teams - Finals Girls' Teams - Pos. 3-4	T1-6
11-23	8:30	Girls' Singles - Group 2&3 (Round 1)	T1-6
	8:50	Girls' Singles - Group 7&8 (Round 1)	T1-6
	9:10	Boys' Singles - Group 4&5 (Round 1)	T1-6
	9:30	Girls' Singles - Group 2&3 (Round 2)	T1-6
	9:50	Girls' Singles - Group 7&8 (Round 2)	T1-6
	10:10	Boys' Singles - Group 4&5 (Round 2)	T1-6
	10:30	Girls' Singles - Group 2&3 (Round 3)	T1-6
	10:50	Girls' Singles - Group 7&8 (Round 3)	T1-6
	11:10	Boys' Singles - Group 4&5 (Round 3)	T1-6
		Break	
	13:30	Girls' Singles - Group 4&5 (Round 4)	T1-6
	13:50	Boys' Singles - Group 1&2 (Round 4)	T1-6
	14:10	Boys' Singles - Group 6&7 (Round 4)	T1-6
	14:30	Girls' Singles - Group 4&5 (Round 5)	T1-6
	14:50	Boys' Singles - Group 1&2 (Round 5)	T1-6
	15:10	Boys' Singles - Group 6&7 (Round 5)	T1-6
	15:30	Draw (by Auto-computer)	The 4 th floor
	15:50-16:50	Boys' Singles - Pos. 1-16 (Round 1) Girls' Singles - Pos. 1-16 (Round 1)	T1-6
11-24	8:30-9:00	Girls' Singles - Pos. 1-16 (Round 2)	T1-6
	9:00-9:30	Boys' Singles - Quarterfinals Girls' Singles - Pos. 5-16 (Round 3)	T1-6
	9:30-10:00	Boys' and Girls' Singles - Semifinals Boys' Singles - Pos. 5-8 (Round 3)	T1-6
	10:00-10:30	Boys' Singles - Pos. 5-8 (Round 4) Girls' Singles - Pos. 5-16 (Round 4)	T1-6
	10:30-11:00	Boys' and Girls' Singles - Finals Boys' and Girls' Singles - Pos. 3-4	T1-6
	11:20	Closing Ceremony	The 4 th floor

竞赛日程（三楼）

Competition Schedule (The Third floor)

DATE	TIME	SCHEDULE	TABLE	
11-22	8:30	Opening Ceremony	The 4 th floor	
	9:00	Boys' and Girls' Teams - Groups (Round 1)	T7-16	
	10:00	Boys' and Girls' Teams - Groups (Round 2)	T7-16	
	Break			
	14:00	Boys' and Girls' Teams - Groups (Round 3)	T7-16	
	15:00	Girls' Teams - Semifinals Boys' and Girls' Teams - Pos. 5-8	T7-16	
	16:00	Boys' Teams - Pos. 3-4 & Pos. 5-6 & Pos. 7-8 Girls' Teams - Pos. 5-6 & Pos. 7-8	T7-16	
11-23	8:30	Girls' Singles - Group 1&4-6 (Round 1)	T7-16	
	8:50	Boys' Singles - Group 1-3 (Round 1)	T7-16	
	9:10	Boys' Singles - Group 6-8 (Round 1)	T7-16	
	9:30	Girls' Singles - Group 1&4-6 (Round 2)	T7-16	
	9:50	Boys' Singles - Group 1-3 (Round 2)	T7-16	
	10:10	Boys' Singles - Group 6-8 (Round 2)	T7-16	
	10:30	Girls' Singles - Group 1&4-6 (Round 3)	T7-16	
	10:50	Boys' Singles - Group 1-3 (Round 3)	T7-16	
	11:10	Boys' Singles - Group 6-8 (Round 3)	T7-16	
	Break			
	13:30	Girls' Singles - Group 1&2&3&6 (Round 4)	T7-16	
	13:50	Boys' Singles - Group 3 (Round 4) Girls' Singles - Group 7&8 (Round 4)	T7-16	
	14:10	Boys' Singles - Group 4&5&8 (Round 4)	T7-16	
	14:30	Girls' Singles - Group 1&2&3&6 (Round 5)	T7-16	
	14:50	Boys' Singles - Group 3 (Round 5) Girls' Singles - Group 7&8 (Round 5)	T7-16	
	15:10	Boys' Singles - Group 4&5&8 (Round 5)	T7-16	
	15:30	Draw (by Auto-computer)	The 4 th floor	
15:50-16:50	Boys' Singles - Pos. 17-32 (Round 1) Boys' Singles - Pos. 33-48 (Round 1-2) Girls' Singles - Pos. 17-32 (Round 1) Girls' Singles - Pos. 33-48 (Round 1-2)	T7-16		
11-24	8:30-11:00	Boys' Singles - Pos. 9-32 (Round 2-4) Boys' Singles - Pos. 33-48 (Round 3-4) Girls' Singles - Pos. 17-32 (Round 2-4) Girls' Singles - Pos. 33-48 (Round 3-4)	T7-16	
	11:20	Closing Ceremony	The 4 th floor	

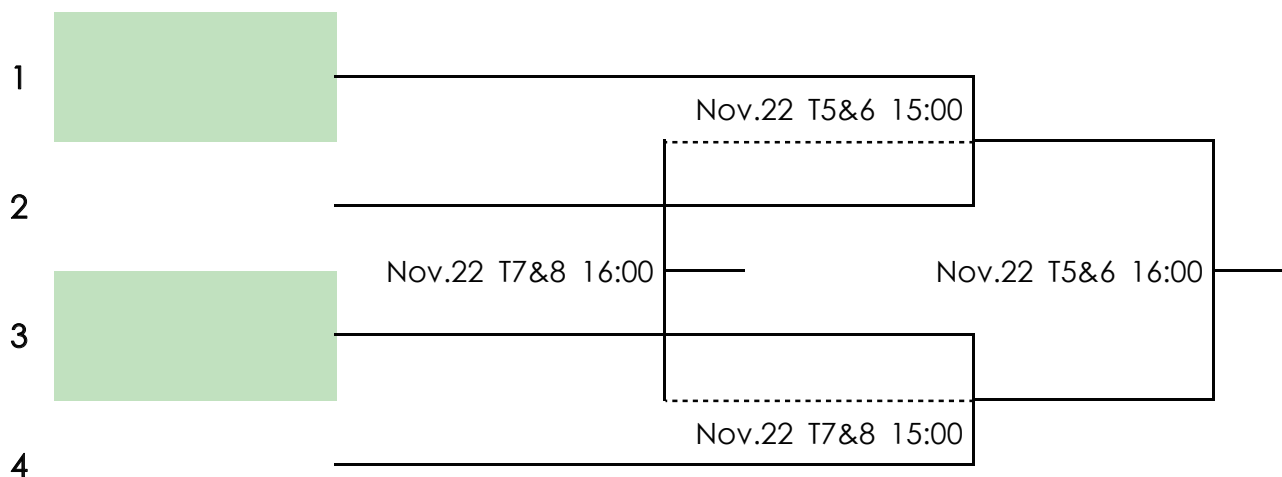


男子团体第一阶段小组赛 Boys' Teams - Groups

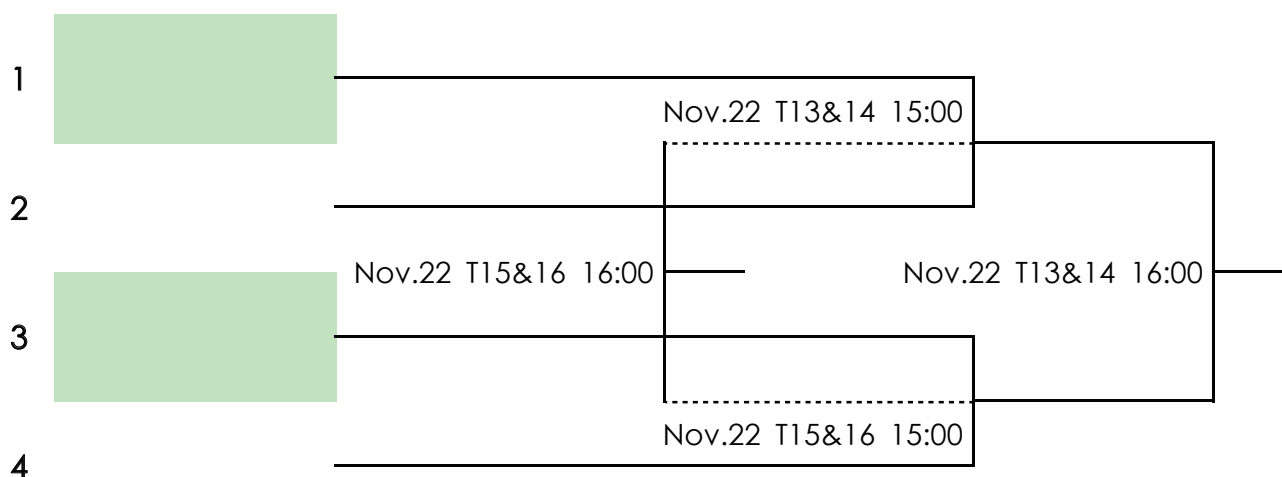
Versus	Date	Time	Table	Group 1	1	2	3	4	MP	GP	R
1-3	11-22	9:00	1&2	1	■						
4-2			3&4								
1-2	11-22	10:00	1&2	2		■					
3-4			3&4								
1-4	11-22	14:00	5&6	3			■				
2-3			7&8								
				4				■			

Versus	Date	Time	Table	Group 2	1	2	3	4	MP	GP	R
1-3	11-22	9:00	5&6	1	■						
4-2			7&8								
1-2	11-22	10:00	5&6	2		■					
3-4			7&8								
1-4	11-22	14:00	9&10	3			■				
2-3			11&12								
				4				■			

男子团体第二阶段淘汰赛（决1-4名） Boys' Teams - Knock-outs (POS 1-4)



男子团体第二阶段淘汰赛（决5-8名） Boys' Teams - Knock-outs (POS 5-8)



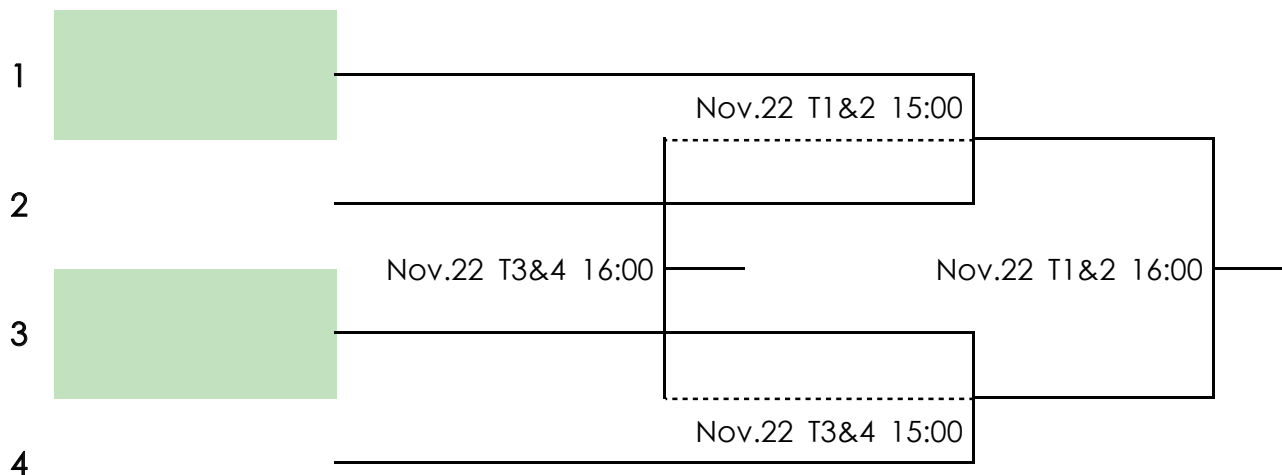


女子团体第一阶段小组赛 Girls' Teams - Groups

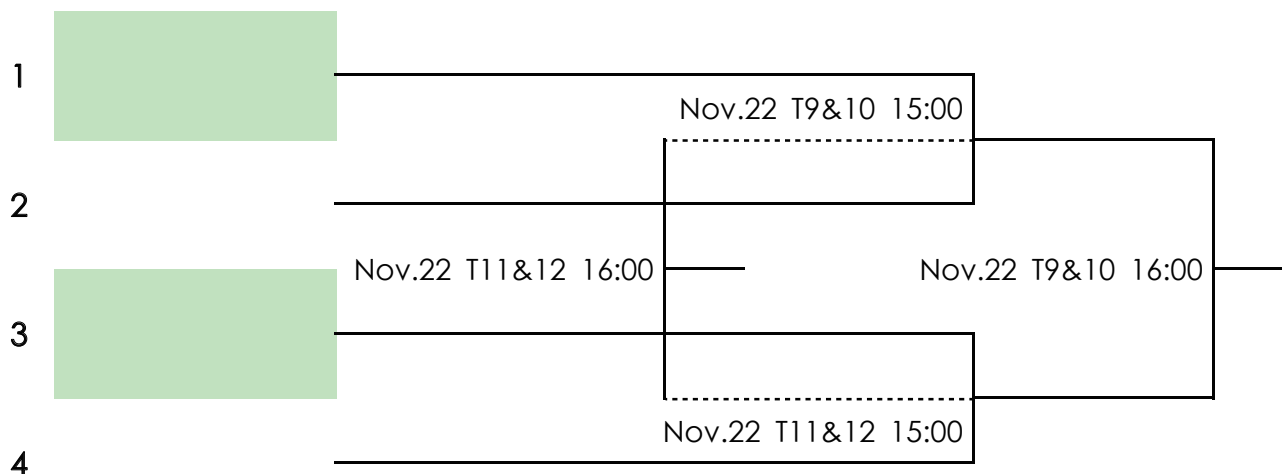
Versus	Date	Time	Table	Group 1	1	2	3	4	MP	GP	R
1-3	11-22	9:00	9&10	1	█						
4-2			11&12								
1-2	11-22	10:00	9&10		2		█				
3-4			11&12								
1-4	11-22	14:00	13&14	3				█			
2-3			15&16								
					4				█		

Versus	Date	Time	Table	Group 2	1	2	3	4	MP	GP	R
1-3	11-22	9:00	13&14	1	█						
4-2			15&16								
1-2	11-22	10:00	13&14		2		█				
3-4			15&16								
1-4	11-22	14:00	1&2	3				█			
2-3			3&4								
					4				█		

女子团体第二阶段淘汰赛（决1-4名） Girls' Teams - Knock-outs (POS 1-4)



女子团体第二阶段淘汰赛（决5-8名） Girls' Teams - Knock-outs (POS 5-8)





男子单打第一阶段小组赛 Boys' Singles - Groups

Match	Date	Time	Table	Group 1	1	2	3	4	5	6	MP	GP	R
1-3	11-23	8:50	7	1	■								
6-5			8										
2-4			9										
1-5	11-23	9:50	7	2		■							
3-4			8										
6-2			9										
1-4	11-23	10:50	7	3			■						
5-2			8										
3-6			9										
1-2	11-23	13:50	1	4				■					
4-6			2										
5-3			3										
1-6	11-23	14:50	1	5					■				
2-3			2										
4-5			3										
				6						■			

Match	Date	Time	Table	Group 2	1	2	3	4	5	6	MP	GP	R
1-3	11-23	8:50	10	1	■								
6-5			11										
2-4			12										
1-5	11-23	9:50	10	2		■							
3-4			11										
6-2			12										
1-4	11-23	10:50	10	3			■						
5-2			11										
3-6			12										
1-2	11-23	13:50	4	4				■					
4-6			5										
5-3			6										
1-6	11-23	14:50	4	5					■				
2-3			5										
4-5			6										
				6						■			

男子单打第一阶段小组赛 Boys' Singles - Groups

Match	Date	Time	Table	Group 3	1	2	3	4	5	6	MP	GP	R
1-3	11-23	8:50	13	1	■								
6-5			14										
2-4			15										
1-5	11-23	9:50	13	2		■							
3-4			14										
6-2			15										
1-4	11-23	10:50	13	3			■						
5-2			14										
3-6			15										
1-2	11-23	13:50	7	4				■					
4-6			8										
5-3			9										
1-6	11-23	14:50	7	5					■				
2-3			8										
4-5			9										
				6						■			

Match	Date	Time	Table	Group 4	1	2	3	4	5	6	MP	GP	R
1-3	11-23	9:10	1	1	■								
6-5			2										
2-4			3										
1-5	11-23	10:10	1	2		■							
3-4			2										
6-2			3										
1-4	11-23	11:10	1	3			■						
5-2			2										
3-6			3										
1-2	11-23	14:10	10	4				■					
4-6			11										
5-3			12										
1-6	11-23	15:10	10	5					■				
2-3			11										
4-5			12										
				6						■			



男子单打第一阶段小组赛 Boys' Singles - Groups

Match	Date	Time	Table	Group 5	1	2	3	4	5	6	MP	GP	R
1-3	11-23	9:10	4	1									
6-5			5										
2-4			6										
1-5	11-23	10:10	4	2									
3-4			5										
6-2			6										
1-4	11-23	11:10	4	3									
5-2			5										
3-6			6										
1-2	11-23	14:10	13	4									
4-6			14										
5-3			15										
1-6	11-23	15:10	13	5									
2-3			14										
4-5			15										
				6									

Match	Date	Time	Table	Group 6	1	2	3	4	5	6	MP	GP	R
1-3	11-23	9:10	7	1									
6-5			8										
2-4			9										
1-5	11-23	10:10	7	2									
3-4			8										
6-2			9										
1-4	11-23	11:10	7	3									
5-2			8										
3-6			9										
1-2	11-23	14:10	1	4									
4-6			2										
5-3			3										
1-6	11-23	15:10	1	5									
2-3			2										
4-5			3										
				6									

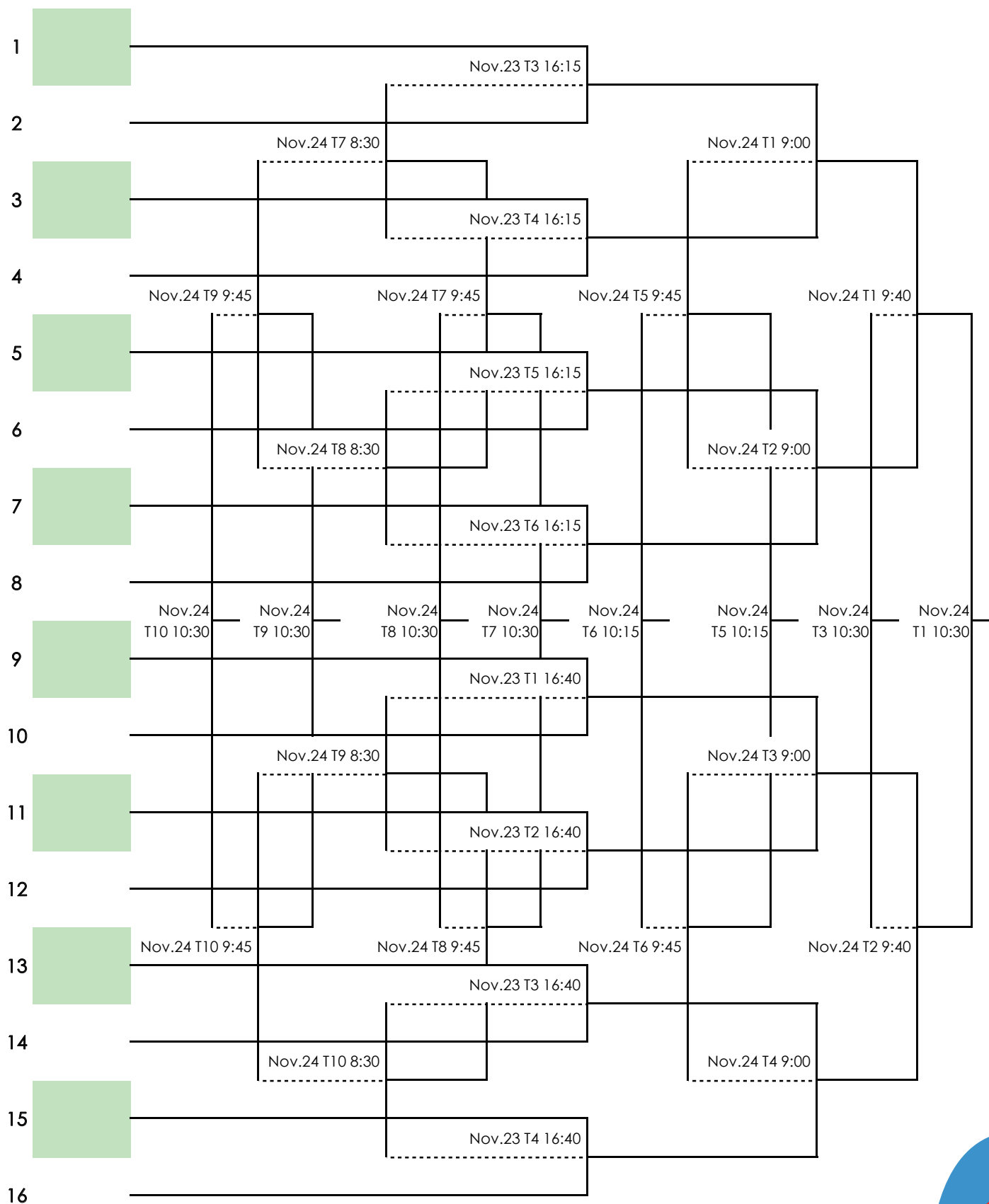
男子单打第一阶段小组赛 Boys' Singles - Groups

Match	Date	Time	Table	Group 7	1	2	3	4	5	6	MP	GP	R
1-3	11-23	9:10	10	1	■								
6-5			11										
2-4			12										
1-5	11-23	10:10	10	2		■							
3-4			11										
6-2			12										
1-4	11-23	11:10	10	3			■						
5-2			11										
3-6			12										
1-2	11-23	14:10	4	4				■					
4-6			5										
5-3			6										
1-6	11-23	15:10	4	5					■				
2-3			5										
4-5			6										
				6						■			

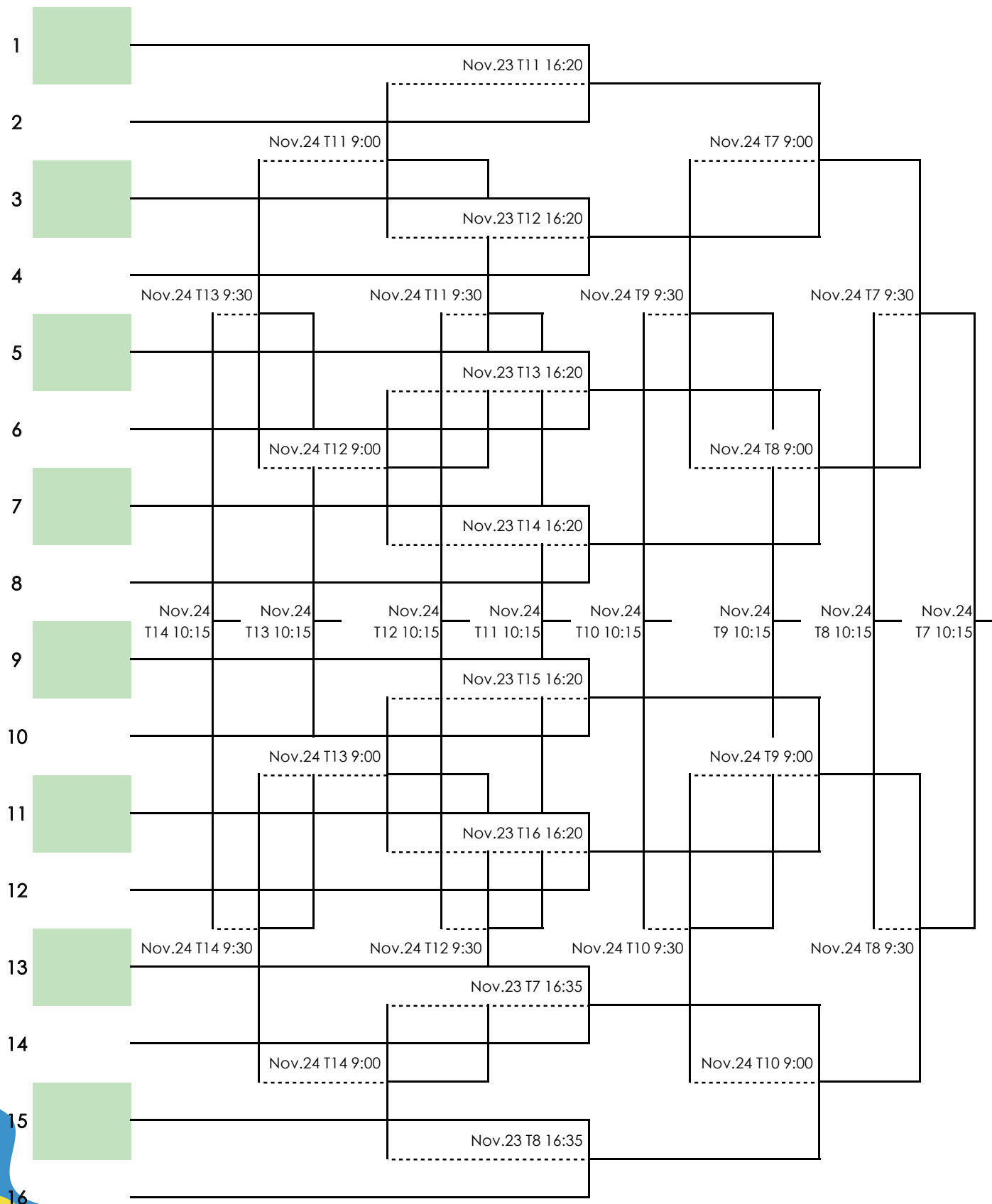
Match	Date	Time	Table	Group 8	1	2	3	4	5	6	MP	GP	R
1-3	11-23	9:10	13	1	■								
6-5			14										
2-4			15										
1-5	11-23	10:10	13	2		■							
3-4			14										
6-2			15										
1-4	11-23	11:10	13	3			■						
5-2			14										
3-6			15										
1-2	11-23	14:10	7	4				■					
4-6			8										
5-3			9										
1-6	11-23	15:10	7	5					■				
2-3			8										
4-5			9										
				6						■			



男子单打第二阶段淘汰赛 (决1-16名) Boys' Singles - Knock-outs (POS 1-16)

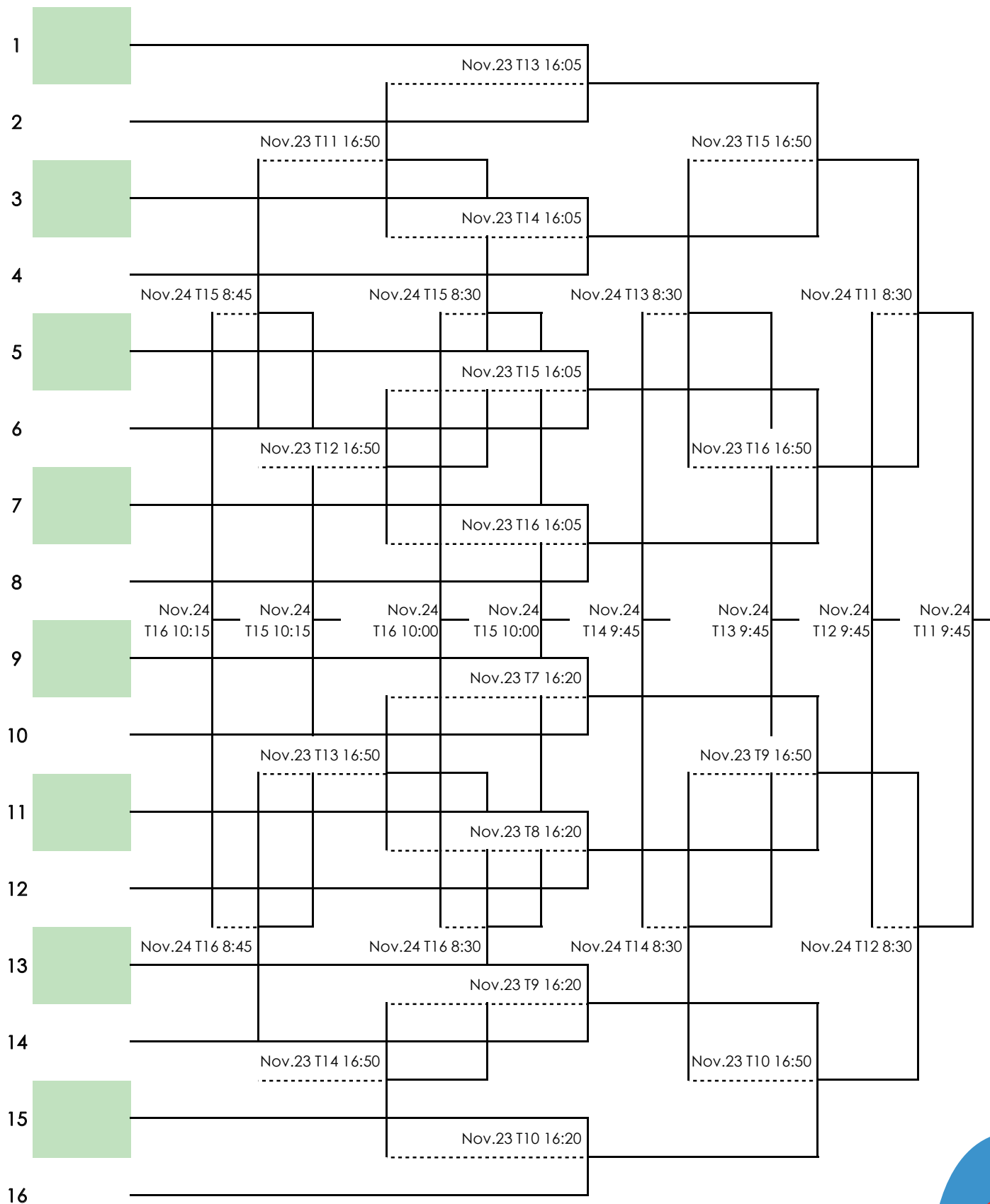


男子单打第二阶段淘汰赛 (决17-32名) Boys' Singles - Knock-outs (POS 17-32)





男子单打第二阶段淘汰赛（决33-48名） Boys' Singles - Knock-outs (POS 33-48)



女子单打第一阶段小组赛 Girls' Singles - Groups

Match	Date	Time	Table	Group 1	1	2	3	4	5	6	MP	GP	R
1-3	11-23	8:30	16	1									
6-5		8:50	16										
2-4		9:10	16										
1-5	11-23	9:30	16	2									
3-4		9:50	16										
6-2		10:10	16										
1-4	11-23	10:30	16	3									
5-2		10:50	16										
3-6		11:10	16										
1-2	11-23	13:30	16	4									
4-6		13:50	16										
5-3		14:10	16										
1-6	11-23	14:30	16	5									
2-3		14:50	16										
4-5		15:10	16										
				6									

Match	Date	Time	Table	Group 2	1	2	3	4	5	6	MP	GP	R
1-3	11-23	8:30	1	1									
6-5			2										
2-4			3										
1-5	11-23	9:30	1	2									
3-4			2										
6-2			3										
1-4	11-23	10:30	1	3									
5-2			2										
3-6			3										
1-2	11-23	13:30	10	4									
4-6			11										
5-3			12										
1-6	11-23	14:30	10	5									
2-3			11										
4-5			12										
				6									



女子单打第一阶段小组赛 Girls' Singles - Groups

Match	Date	Time	Table	Group 3	1	2	3	4	5	6	MP	GP	R
1-3	11-23	8:30	4	1									
6-5			5										
2-4			6										
1-5	11-23	9:30	4	2									
3-4			5										
6-2			6										
1-4	11-23	10:30	4	3									
5-2			5										
3-6			6										
1-2	11-23	13:30	13	4									
4-6			14										
5-3			15										
1-6	11-23	14:30	13	5									
2-3			14										
4-5			15										
				6									

Match	Date	Time	Table	Group 4	1	2	3	4	5	6	MP	GP	R
1-3	11-23	8:30	7	1									
6-5			8										
2-4			9										
1-5	11-23	9:30	7	2									
3-4			8										
6-2			9										
1-4	11-23	10:30	7	3									
5-2			8										
3-6			9										
1-2	11-23	13:30	1	4									
4-6			2										
5-3			3										
1-6	11-23	14:30	1	5									
2-3			2										
4-5			3										
				6									

女子单打第一阶段小组赛 Girls' Singles - Groups

Match	Date	Time	Table	Group 5	1	2	3	4	5	6	MP	GP	R
1-3	11-23	8:30	10	1	■								
6-5			11										
2-4			12										
1-5	11-23	9:30	10	2		■							
3-4			11										
6-2			12										
1-4	11-23	10:30	10	3			■						
5-2			11										
3-6			12										
1-2	11-23	13:30	4	4				■					
4-6			5										
5-3			6										
1-6	11-23	14:30	4	5					■				
2-3			5										
4-5			6										
				6						■			

Match	Date	Time	Table	Group 6	1	2	3	4	5	6	MP	GP	R
1-3	11-23	8:30	13	1	■								
6-5			14										
2-4			15										
1-5	11-23	9:30	13	2		■							
3-4			14										
6-2			15										
1-4	11-23	10:30	13	3			■						
5-2			14										
3-6			15										
1-2	11-23	13:30	7	4				■					
4-6			8										
5-3			9										
1-6	11-23	14:30	7	5					■				
2-3			8										
4-5			9										
				6						■			

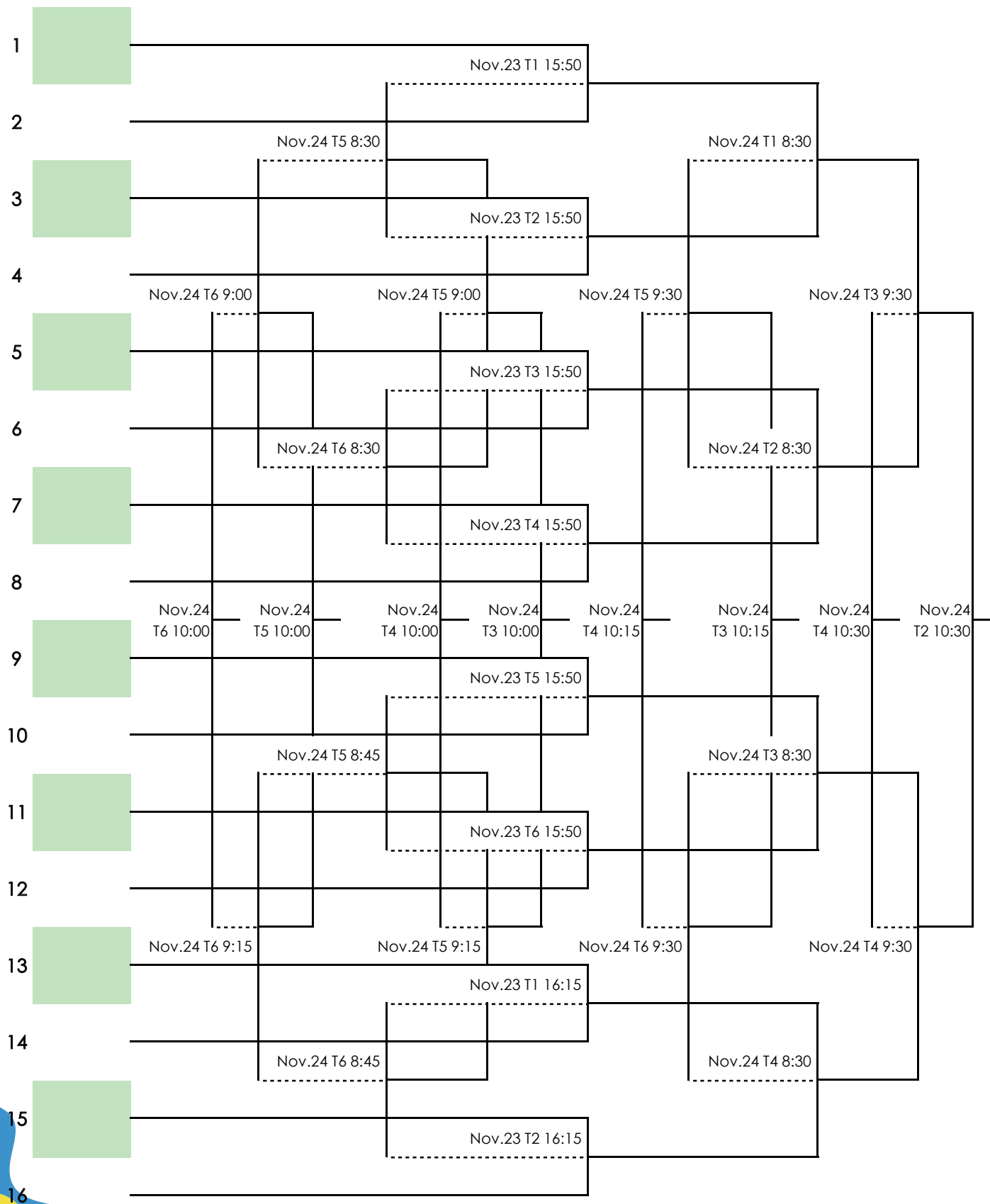


女子单打第一阶段小组赛 Girls' Singles - Groups

Match	Date	Time	Table	Group 7	1	2	3	4	5	6	MP	GP	R
1-3	11-23	8:50	1	1									
6-5			2										
2-4			3										
1-5	11-23	9:50	1	2									
3-4			2										
6-2			3										
1-4	11-23	10:50	1	3									
5-2			2										
3-6			3										
1-2	11-23	13:50	10	4									
4-6			11										
5-3			12										
1-6	11-23	14:50	10	5									
2-3			11										
4-5			12										
				6									

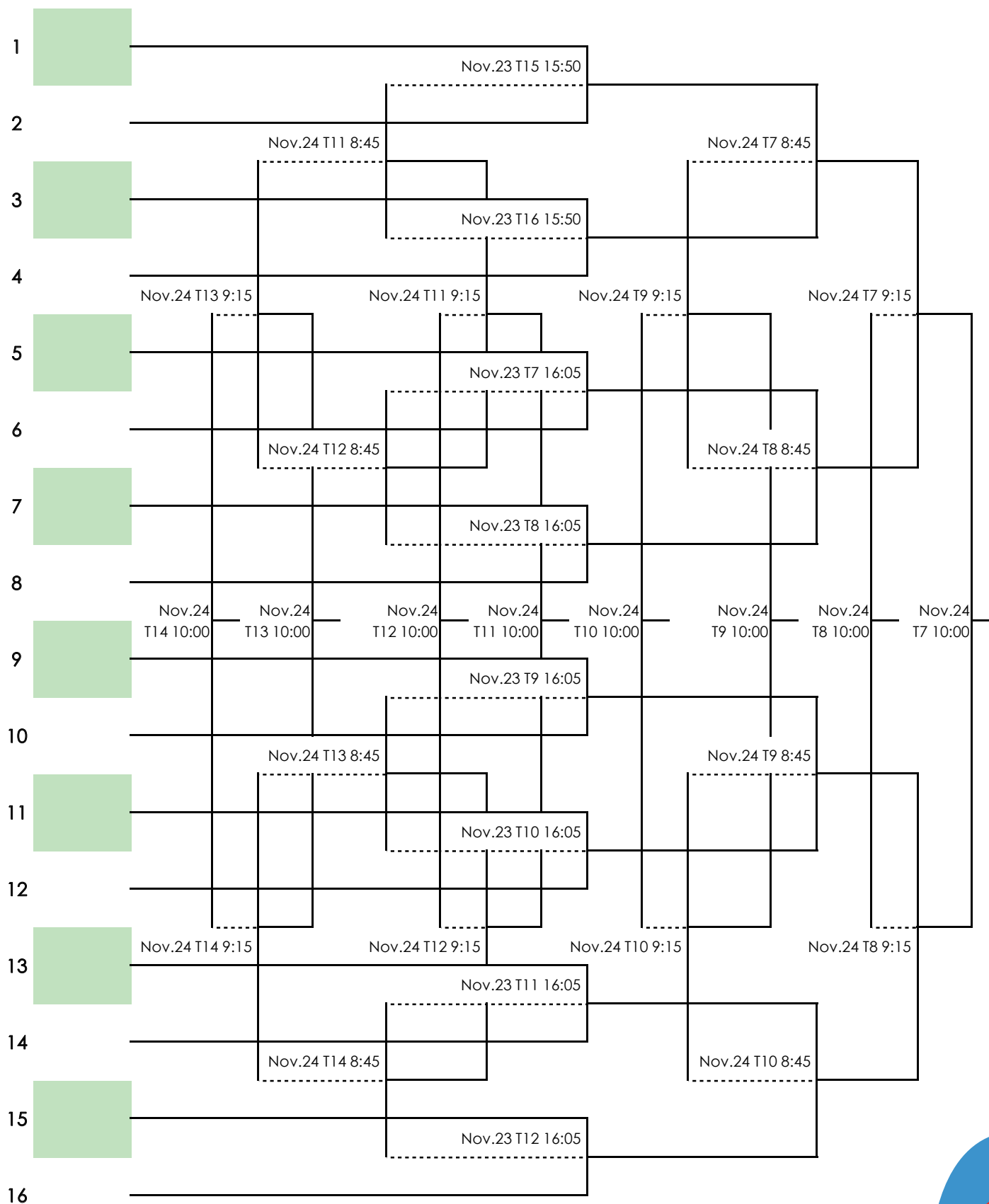
Match	Date	Time	Table	Group 8	1	2	3	4	5	6	MP	GP	R
1-3	11-23	8:50	4	1									
6-5			5										
2-4			6										
1-5	11-23	9:50	4	2									
3-4			5										
6-2			6										
1-4	11-23	10:50	4	3									
5-2			5										
3-6			6										
1-2	11-23	13:50	13	4									
4-6			14										
5-3			15										
1-6	11-23	14:50	13	5									
2-3			14										
4-5			15										
				6									

女子单打第二阶段淘汰赛 (决1-16名) Girls' Singles - Knock-outs (POS 1-16)

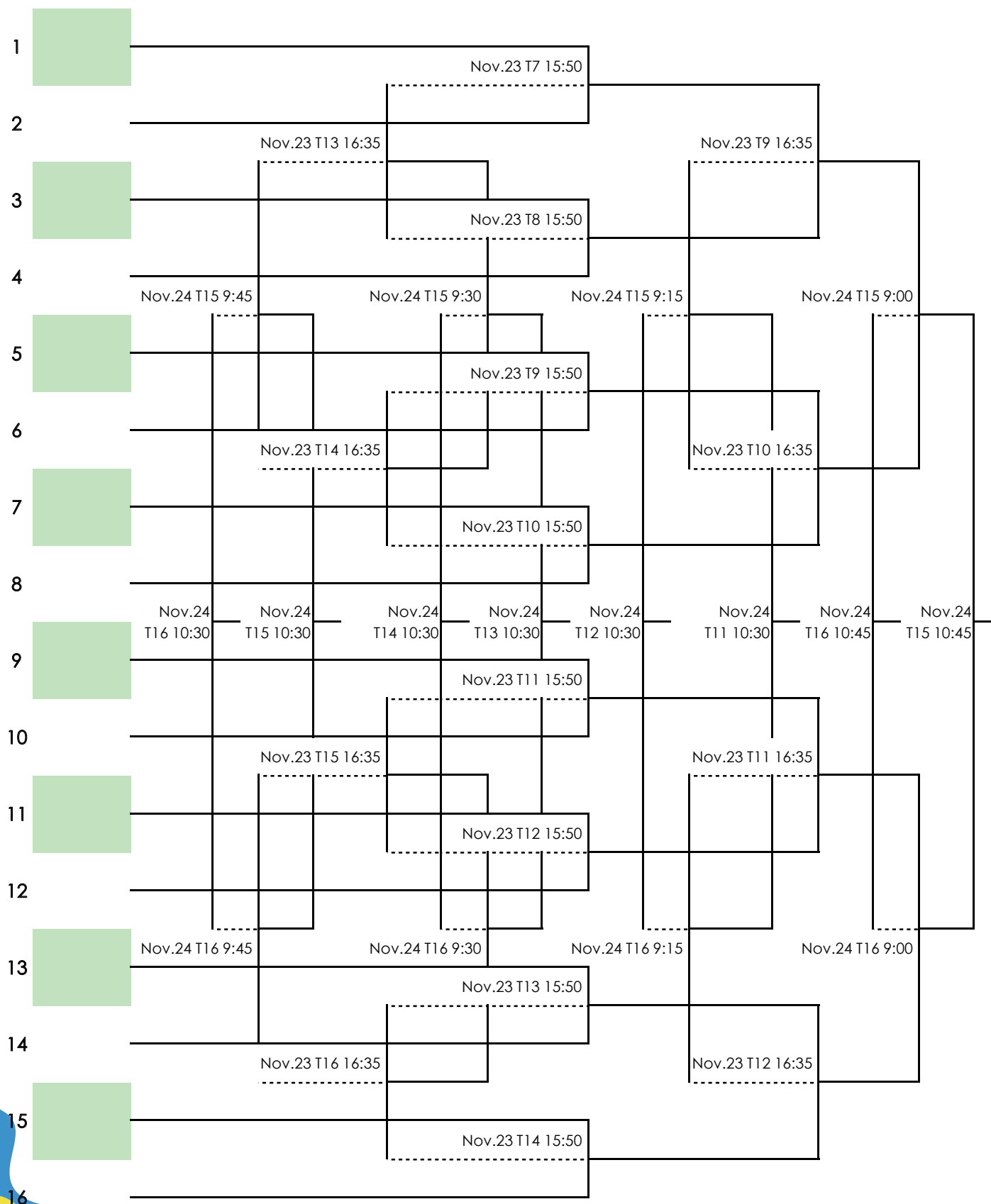




女子单打第二阶段淘汰赛 (决17-32名) Girls' Singles - Knock-outs (POS 17-32)



女子单打第二阶段淘汰赛 (决33-48名) Girls' Singles - Knock-outs (POS 33-48)

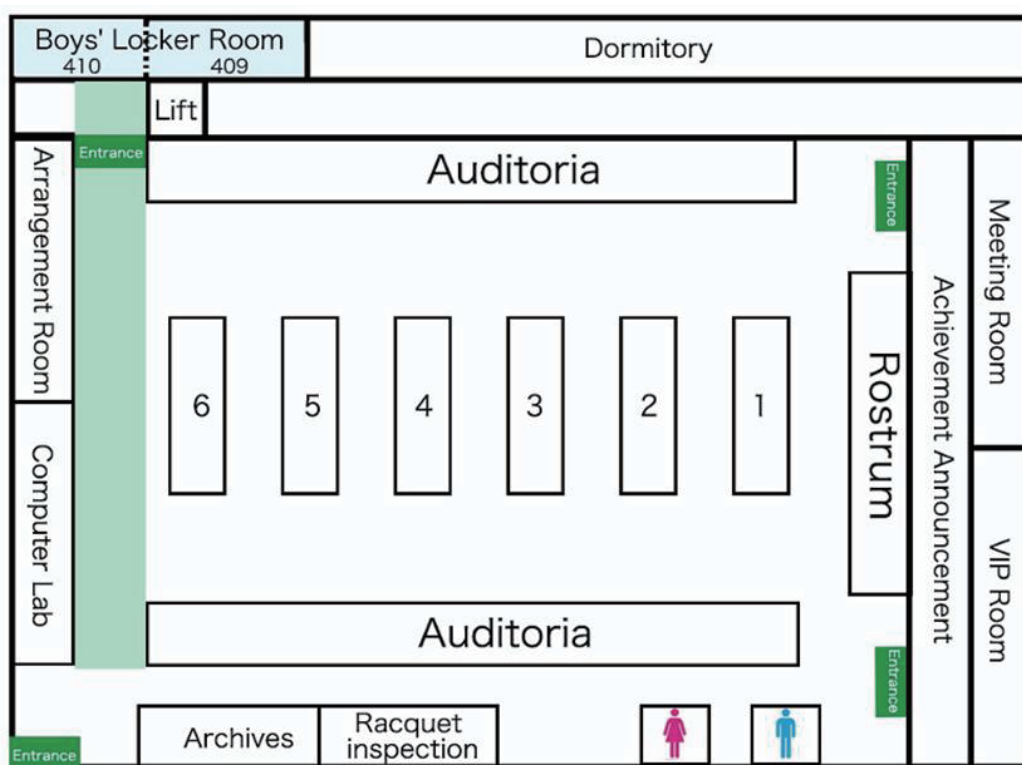




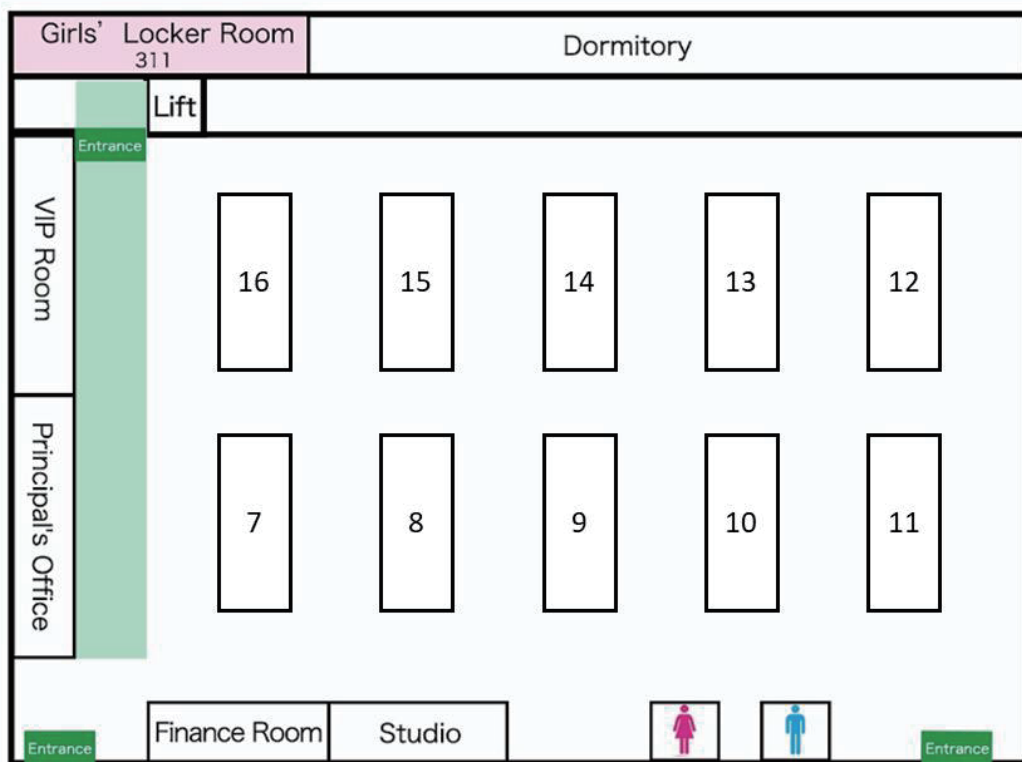
参赛人数统计 The Number of Participants

NO.	Association	Boy players	Girl players	Coach	Total
1	中国/CHN	6	6	4	16
2	曹乒校/CTTS	6	6	2	14
3	中国香港/HKG	6	6	2	14
4	日本/JPN	6	6	2	14
5	韩国/KOR	6	6	2	14
6	中国澳门/MAC	6	6	2	14
7	蒙古/MGL	6	6	2	14
8	中国台北/TPE	6	6	2	14
	Total	48	48	18	114

比赛场地示意图 LAYOUT



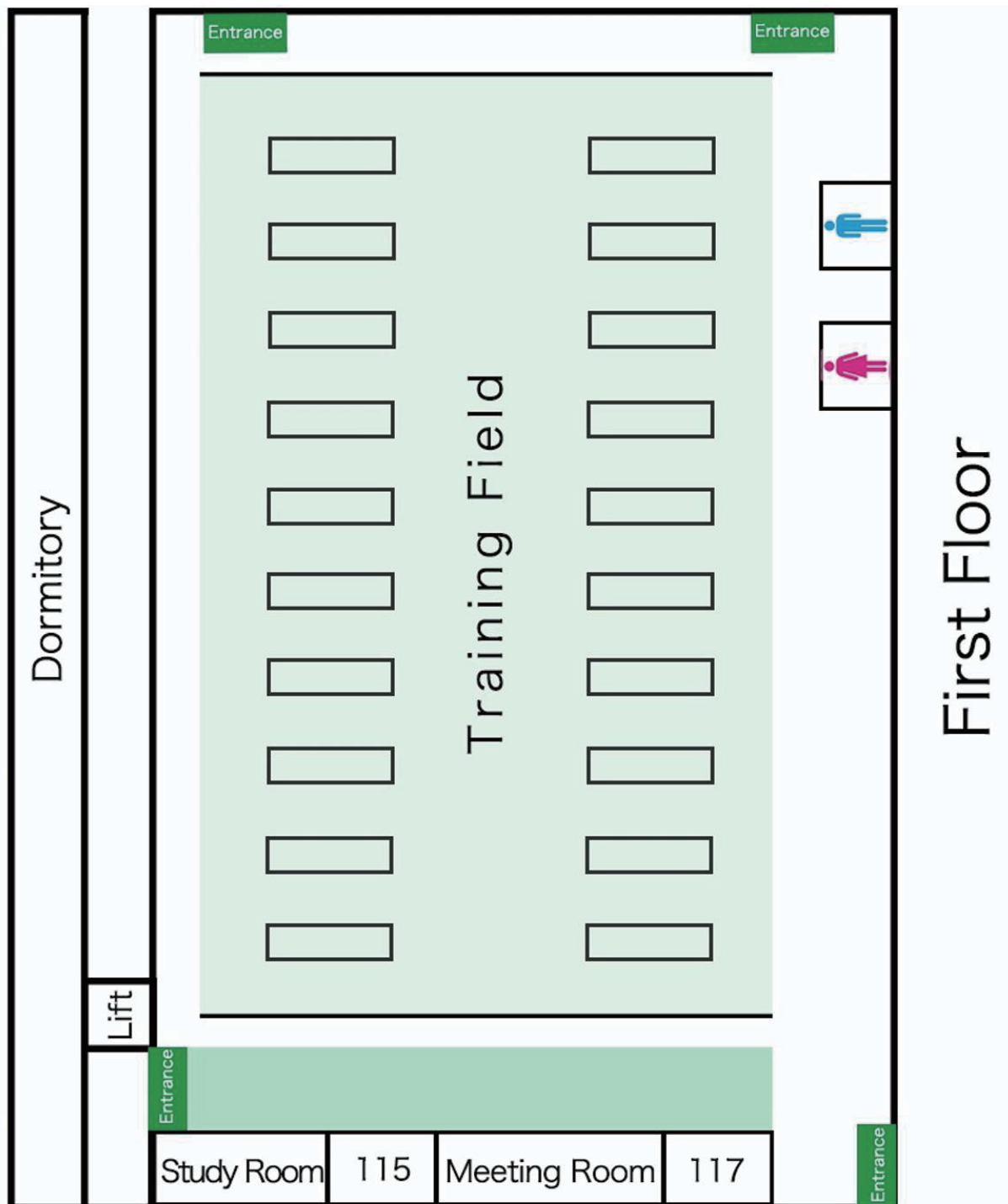
Fourth Floor, Table 1-6



Third Floor, Table 7-16



练习场地示意图 LAYOUT





狂飚 冠军能量



狂飚王



金满贯狂飚龙5



狂飚飒



NEO狂飚3-蓝海绵



狂飚8



